

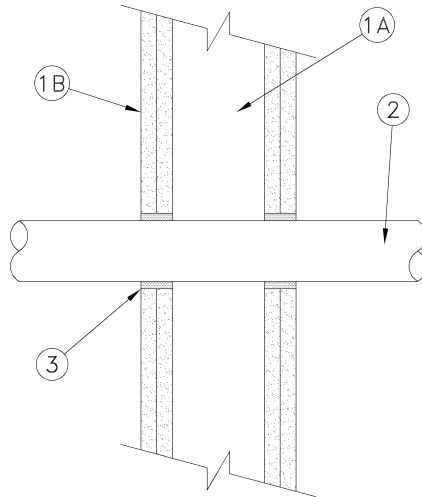
# Eastern Wire + Conduit

## FIRESTOP Product Specifications

System No. W-L-2328

F Rating — 2 Hr

T Rating — 2 Hr



1. **Wall Assembly** - The 2 hr fire-rated gypsum board/stud wall assembly shall be constructed of the materials and in the manner specified in the individual U300 or U400 Series Wall and Partition Designs in the UL Fire Resistance Directory and shall include the following construction features:
  - A. **Studs** - Wall framing may consist of either wood studs or steel channel studs. Wood studs to consist of nom 2 by 4 in. lumber spaced 16 in. OC. Steel studs to be min 3-5/8 in. wide and spaced max 24 in. OC.
  - B. **Gypsum Board\*** - Two layers of nom 5/8 in. thick, 4 ft wide with square or tapered edges. The gypsum board type, fastener type and sheet orientation shall be as specified in the individual Wall and Partition Design. Max diam of opening is 3-5/8 in.
2. **Nonmetallic Pipe** - Nom 2 in. diam (or smaller) Schedule 40, solid core polyvinyl chloride (PVC) pipe for use in closed (process or supply) or vented (drain, waste or vent) piping systems. One pipe to be installed either concentrically or eccentrically within the firestop system. The annular space shall be min 7/16 in. to max 13/16 in. Pipe to be rigidly supported on both sides of wall assembly.
3. **Fill, Void or Cavity Material\* - Sealant.** Min 1-1/4 in. thickness of fill material applied within the annulus, flush with both surfaces of wall.

**Eastern Wire + Conduit. – IC 300 Sealant**

\*Bearing the UL Classification Mark

**tyco**  
Electrical &  
Metal Products

1-800-483-3473  
[www.easternwire.com](http://www.easternwire.com)

