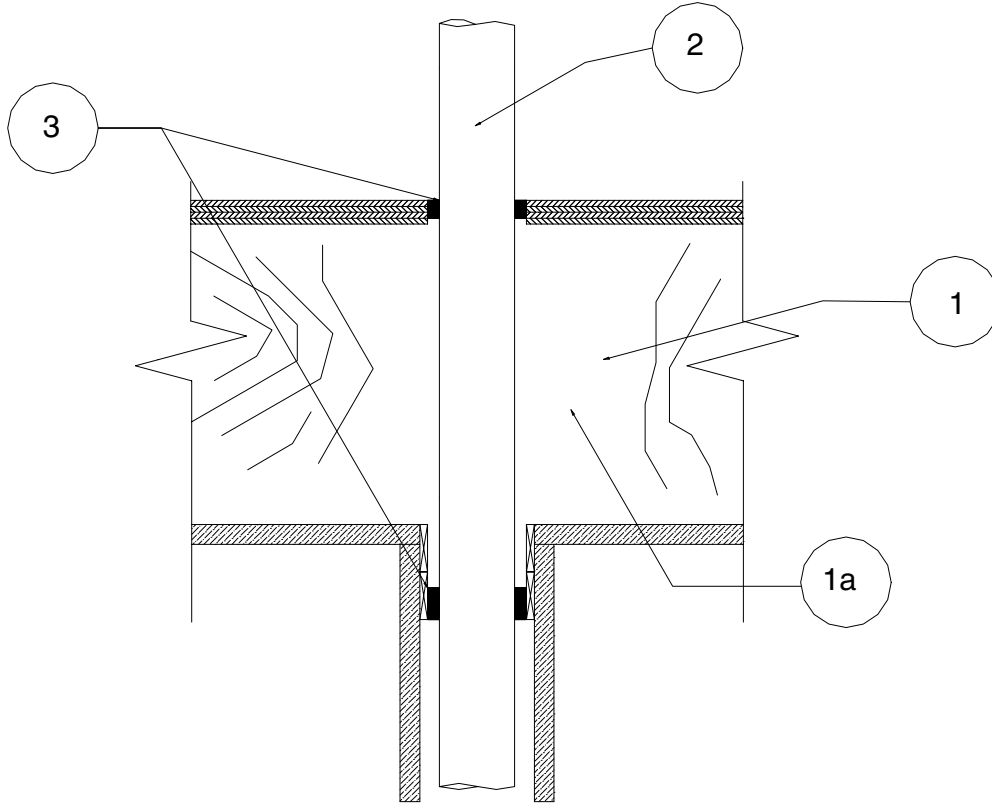


# Eastern Wire + Conduit

## FIRESTOP Product Specifications

**Design No: RQ/PH 60-03**  
 Horizontal (floor ratings: see table below)  
 Hole size: see Item 3  
 Tested to ASTM E-814 and CAN4-S115M

Penetrant	Pipe Size	CAN/ULC-S115 CAN4-S115 F, FH, FT, FTH	ASTM E-814 F, T
copper tube	1/2" to 1-1/2"	1 hr	1 hr
copper pipe	1/2" to 1-1/2"	1 hr	1 hr
iron pipe	1/2" to 3"	1 hr	1 hr
EMT conduit	1/2" to 3"	1 hr	1 hr
cast iron soil pipe	1/2" to 3"	1 hr	1 hr



**tyco**  
 Electrical &  
 Metal Products

1-800-483-3473  
[www.easternwire.com](http://www.easternwire.com)



# Eastern Wire + Conduit

## FIRESTOP Product Specifications

1. **Floor/Ceiling Assembly:** Code conforming 1 hr rated floor/ceiling assembly, framed with minimum nominal 2" x 10" solid sawn or manufactured wood joists. Topping optional (not shown).
- 1a. **Chase Wall:** Rated or non-rated wood or steel gypsum wallboard assembly to have firestop system installed as detailed in Item 4, within the annular space in the single and double top plates (or plywood floor).

### Design No: RQ/PH 60-03 - *Continued*

2. **Penetrant:** (See table of ratings) copper pipe, copper tube, iron pipe, EMT conduit, cast iron soil pipe, DWV or closed (process or supply) applications. Fittings optional within the piping assembly. Ratings achieved equivalent to that of the fire separation.
3. **Firestop System Component:** 1 layer (single wrap) Eastern Wire + Conduit Quickroll installed at the both double top plate and single sole plate locations. Quickroll to be installed ¼" recessed from the exposed face of the double top plate and sole plate, according to manufacturer's installation instructions. Eastern Wire + Conduit IC sealant may be used in place of the Quickroll at either the sub-floor or both top plate locations. Minimum sealant depth 3/4".

Nominal Pipe Size	Maximum Hole Size			
	cast iron soil pipe	EMT	IPS	copper tube
½"	-	1"	1-¼"	1"
¾"	-	1-¼"	1-½"	1-¼"
1"	-	1-½"	1- <sup>5</sup> / <sub>8</sub> "	1-½"
1-¼"	-	1- <sup>7</sup> / <sub>8</sub> "	2"	1-¾"
1-½"	2-¼"	2- <sup>1</sup> / <sub>8</sub> "	2-¼"	2"
2"	2-¾"	2-½"	2-¾"	-
2-½"	-	3-¼"	3-¼"	-
3"	3-¾"	3- <sup>7</sup> / <sub>8</sub> "	3- <sup>7</sup> / <sub>8</sub> "	-



1-800-483-3473  
[www.easternwire.com](http://www.easternwire.com)

