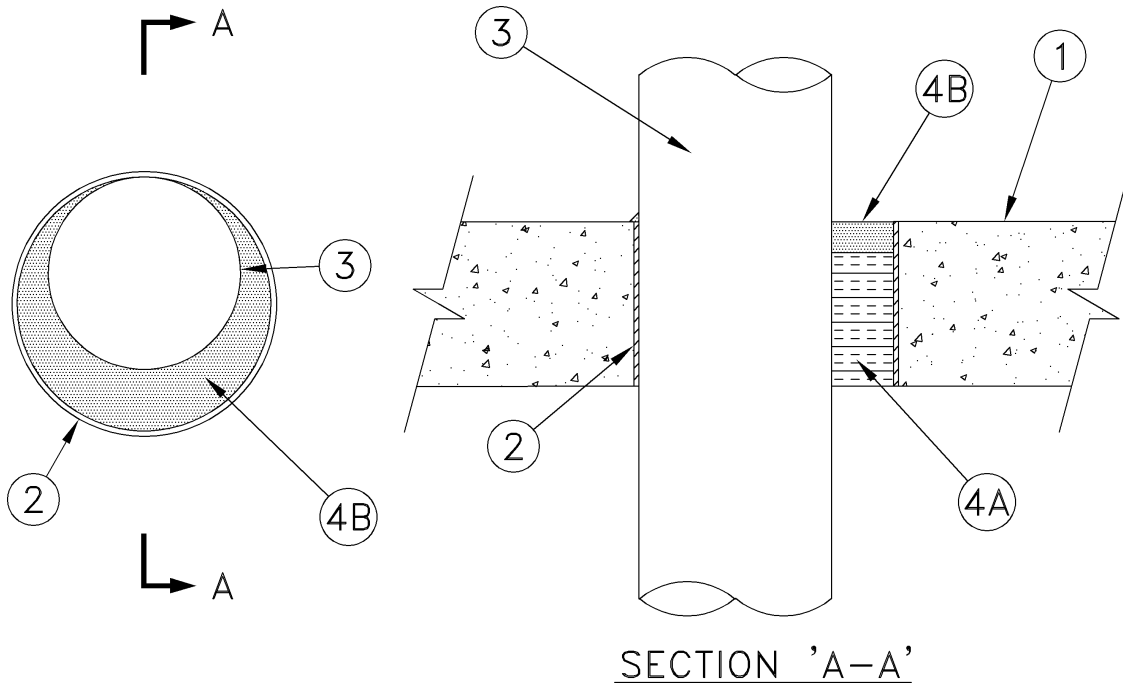


# Eastern Wire + Conduit

## FIRESTOP Product Specifications

SYSTEM No. C-AJ-1442

F Rating - 2 Hr  
FT Rating - 0 Hr



1. **Floor or Wall Assembly** – Min 2-1/2 in. thick wall or 3 in. thick floor of reinforced lightweight or normal weight (100–150 pcf) concrete. Wall may also be constructed of any classified **Concrete Blocks\***. Max dia of opening is 4 in. See **Concrete Blocks** (CAZT) category in the Fire Resistance Directory for names of manufacturers.

**tyco**  
Electrical &  
Metal Products

1-800-483-3473  
[www.easternwire.com](http://www.easternwire.com)

**EASTERN**  
wire + conduit

Copyright © 2004 by Eastern Wire + Conduit. All rights reserved.  
Eastern Wire + Conduit reserves the right to change product design and specifications without notice.  
Eastern Wire + Conduit and Tyco are registered trademarks or trademarks of Tyco and/or its affiliates in the United States, Canada, and/or other countries.  
All other brand names, product names, or trademarks belong to their respective holders.

## Eastern Wire + Conduit

### FIRESTOP Product Specifications

2. **Metallic Sleeve (optional)** – Cylindrical sleeve fabricated from min No. 24 gauge galvanized sheet steel. Sleeve cast or grouted into floor or wall assembly, flush with floor or wall surfaces. The inside dia of sleeve shall be 7/8 in. larger than the dia of the through penetrant.
3. **Through Penetrants** – One pipe, conduit or tubing may be installed within the opening. The annular space between pipe, conduit or tubing and periphery of opening shall be min 0 in. (point of contact) to max 7/8 in. Pipe, conduit or tubing to be rigidly supported on both sides of floor or wall assembly. The following types and sizes of metallic pipes, conduits or tubing may be used:
  - A. **Steel Pipe** - Nom 3 in. dia (or smaller) Schedule 5 (or heavier) steel pipe.
  - B. **Conduit** – Nom 3 in. dia (or smaller) steel electrical metallic tubing or steel conduit.
  - C. **Copper Tubing** – Nom 3 in. dia (or smaller) Type M (or heavier) copper tubing.
  - D. **Copper Pipe** – Nom 3 in. dia (or smaller) Type DWV, regular (or heavier) copper pipe.
4. **Firestop System** – The firestop system shall consist of the following:
  - A. **Packing Material** – Min 2 in. thickness of min 4 pcf mineral wool batt insulation firmly packed into opening as a permanent form. Packing material to be recessed from top surface of floor or from both surfaces of wall to accommodate the required thickness of fill material.
  - B. **Fill, Void or Cavity Material\* - Sealant.** Min 1/2 in. thickness of fill material applied within the annulus, flush with top surface of floor or with both surfaces of wall assembly. At the point of contact of pipe and periphery of the opening, a 1/4 in. thick bead of the sealant shall be applied at the top floor surface or both wall surfaces.

#### Eastern Wire + Conduit - IC 300 Sealant

- \* Bearing the UL Classification Marking.

**tyco**  
Electrical &  
Metal Products

1-800-483-3473  
[www.easternwire.com](http://www.easternwire.com)

